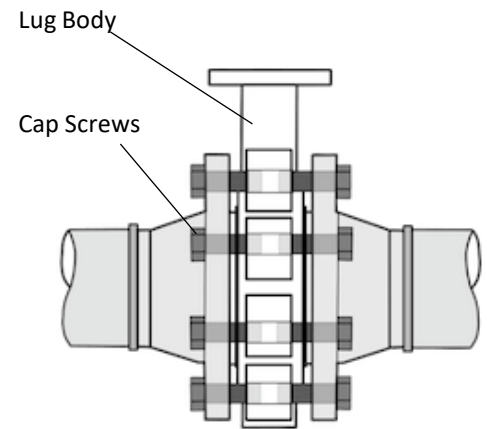


Butterfly Valves

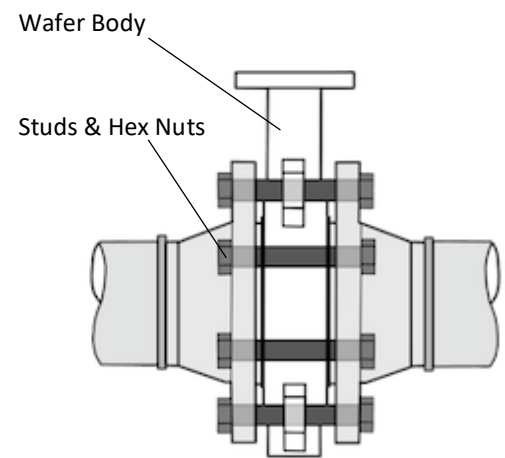
| Valve Size | Bolt Circle Diameter | Bolt Size | Wafer Body | | | Lug Body | |
|------------|----------------------|--------------|------------|-------------|--------------|----------|----------------|
| | | | QTY | Stud Length | Screw Length | QTY | Screw Length |
| 2"-150 | 1-1/2 | MT | 4 | | - | 8 | 1.50 |
| 3"-150 | 6 | 5/8- 11 UNC | 4 | 5.50 | - | 8 | 1.75 |
| 3"-300 | 6-5/8 | 3/4- 10 UNC | 8 | 6.25 | - | 16 | 2.00 |
| 3"-600 | 6-5/8 | 3/4- 10 UNC | 8 | 6.50 | - | 16 | 2.25 |
| 4"-150 | 7-1/2 | 5/8- 11 UNC | 8 | 5.75 | - | 16 | 2.00 |
| 4"-300 | 7-7/8 | 3/4- 10 UNC | 8 | 6.50 | - | 16 | 2.25 |
| 4"-600 | 8-1/2 | 7/8- 9 UNC | 8 | 7.50 | - | 16 | 2.50 |
| 6"-150 | 9-1/2 | 3/4- 10 UNC | 8 | 6.25 | - | 16 | 2.00 |
| 6"-300 | 10-5/8 | 3/4- 10 UNC | 12 | 7.25 | - | 24 | 2.50 |
| 6"-600 | 11-1/2 | 1-8 UNC | 12 | 9.50 | - | 24 | 3.25 |
| 8"-150 | 11-3/4 | 3/4- 10 UNC | 8 | 6.75 | - | 16 | 2.25 |
| 8"-300 | 13 | 7/8- 9 UNC | 12 | 8.25 | - | 24 | 3.00 |
| 8"-600 | 13-3/4 | 1-1/8- 8 UNC | 12 | 11.00 | - | 24 | 4.00 |
| 10"-150 | 14-1/4 | 7/8- 9 UNC | 12 | 7.25 | - | 24 | 2.50 |
| 10"-300 | 15-1/4 | 1-8 UNC | 16 | 9.50 | - | 32 | 3.25 |
| 10"-600 | 17 | 1-1/4- 8 UNC | 12 (8) | 13.00 | (4.00) | 32 | 4.00 |
| 12"-150 | 17 | 7/8- 9 UNC | 12 | 7.75 | - | 24 | 2.75 |
| 12"-300 | 17-3/4 | 1-1/8- 8 UNC | 16 | 10.50 | - | 32 | 3.75 |
| 12"-600 | 19-1/4 | 1-1/4- 8 UNC | 16 (8) | 14.00 | (4.00) | 40 | 4.00 |
| 14"-150 | 18-3/4 | 1-8 UNC | 12 | 9.25 | - | 24 | 3.00 |
| 14"-300 | 20-1/4 | 1-1/8- 8 UNC | 16 (8) | 11.75 | (3.50) | 40 | 3.50 |
| 16"-150 | 21-1/4 | 1-8 UNC | 16 | 9.75 | - | 32 | 3.00 |
| 16"-300 | 22-1/2 | 1-1/4- 8 UNC | 16 (8) | 13.00 | (3.75) | 40 | 3.75 |
| 18"-150 | 22-3/4 | 1-1/8- 8 UNC | 16 | 10.50 | - | 32 | 3.25 |
| 18"-300 | 24-3/4 | 1-1/4- 8 UNC | 20 (8) | 14.00 | (4.00) | 48 | 4.00 |
| 20"-150 | 25 | 1-1/8- 8 UNC | 20 | 12.00 | - | 40 | 3.75 |
| 20"-300 | 27 | 1-1/4- 8 UNC | 20 (8) | 14.50 | (4.00) | 48 | 4.00 |
| 24"-150 | 29-1/2 | 1-1/4- 8 UNC | 20 | 13.00 | - | 40 | 4.00 |
| 24"-300 | 32 | 1-1/2- 8 UNC | 20 (8) | 16.50 | (4.25) | 40 (8) | 5.00 (4.25) |
| 30"-150 | 36 | 1-1/4- 8 UNC | 40 (16) | 16.50 | (4.25) | 48 (8) | 5.00 (4.25) |

Note: Wafer Body- Use B7 stud

Lug Body- Use Hex cap screw



Lug-Style Valve



Wafer-Style Valve